

ami

2025 Product Catalog

new



AMERICAN MARBLE INDUSTRIES



Founded in 1980 by John Stoffer, American Marble Industries has been operating out of Canton, Ohio providing homeowners with customized shower and bathroom material as an alternative option to tile & grout.

Why homeowners choose Cultured Marble?

- Cost effective material
- Grout-free & non-porous
- Healthy, low maintenance care
- Timeless looks built to last
- Custom design options for unique spaces and layouts

Table of Contents

Standard Marble Product

- Standard Vanity Tops / Page 1
- Molded Tubs / Page 2
- NEW** Quick-Ship Shower Unit / Page 3
- Standard Tub & Shower Kits / Page 4-6
- Standard Shower Bases / Page 7-8
- Accessories / Page 9-10
- Trim, Molding, & Backsplash / Page 11

Custom Marble Product

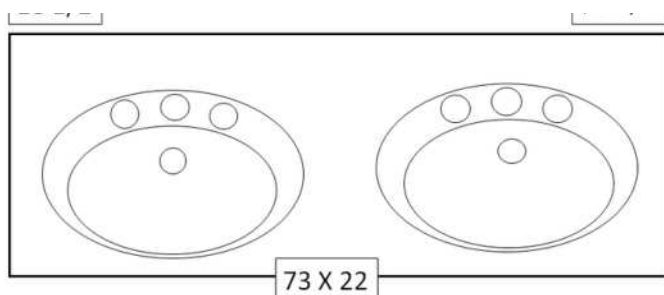
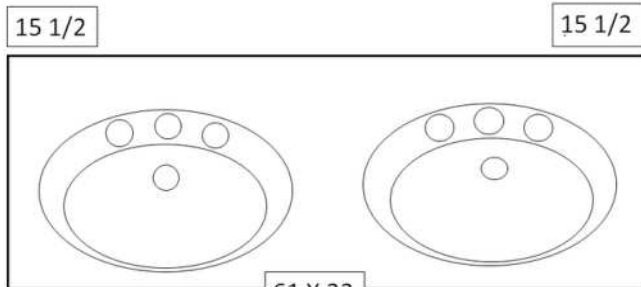
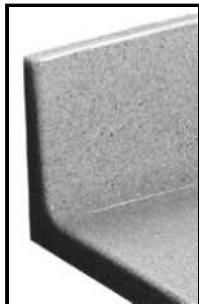
- Custom Vanity Tops / Page 12
- Specialty Edges / Page 13
- Vanity Bowl Specifications / Page 14-15
- Custom Shower Bases / Page 16
- Shower Thresholds / Page 17
- Premium Shower Drains / Page 18
- Flat Stock & Wall Panels / Page 19
- Tyvarian by AMI / Page 20-23
- Solid Surface, Madera Wood & Laminate / Page 24-25
- Commercial Projects / Page 26
- AMI's How-To Guide / Page 27

STANDARD VANITY TOPS

LOCALLY MANUFACTURED AND AVAILABLE IN MARBLE, ALABASTER OR IRONSTONE COLORS TO PAIR WITH STANDARD SIZE VANITY CABINETS

Features Include:

- 4" integral back splash
- Recessed oval center bowl
- No drip front and side edges
- Faucet Drills: 4"/ 8"/ single
- Gloss or Matte finish
- End splashes available

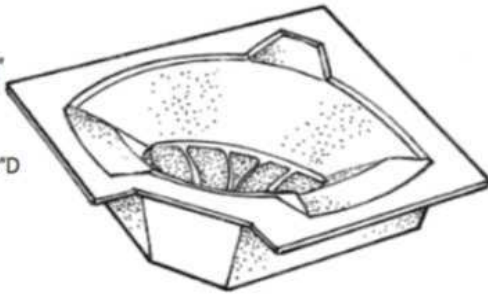


Available Sizes
25x19
31x19
37x19
49x19
25x22
21x22
37x22
43x22
49x22
61x22
19x17 Backsplash will be 3 3/4" high overall
61x22 Double Recessed Oval Bowl
73x22 Double Recessed Oval Bowl

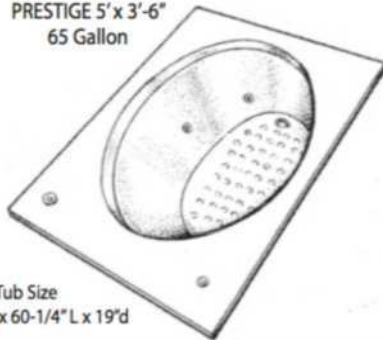
Both standard double bowl vanity tops come with a 3/4" thick eased edge only, on three sides. Not a dripless edge.

MOLDED TUBS

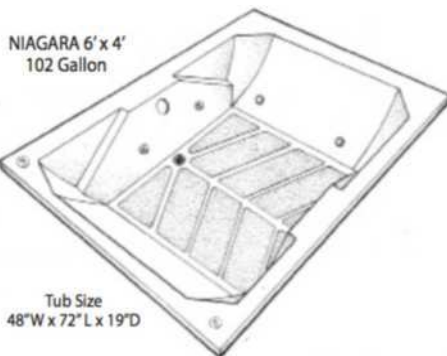
STEVEN 5'-6" x 5'-6"
105 Gallon
Tub Size
66"W x 66" L x 20-1/2"D



PRESTIGE 5' x 3'-6"
65 Gallon



Tub Size
42-1/4"W x 60-1/4" L x 19"D



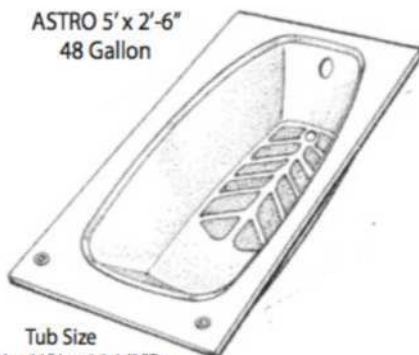
NIAGARA 6' x 4'
102 Gallon

Tub Size
48"W x 72" L x 19"D



SENSATE 5'-8" x 3'-6"
65 Gallon Drop-In

Tub Size 42"W x 68" L x 21"D

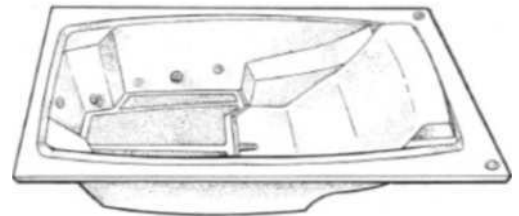


ASTRO 5' x 2'-6"
48 Gallon

Tub Size
31"W x 61" L x 16 1/2"D

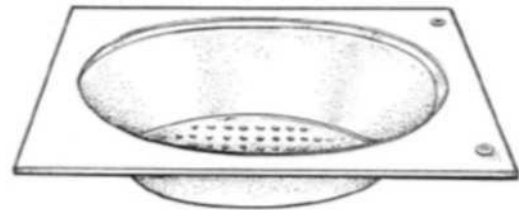
**FOR TUB
REQUESTS, PLEASE
CALL THE OFFICE
FOR AVAILABILITY.**

APOLLO 6' x 3'-6"
62 Gallon



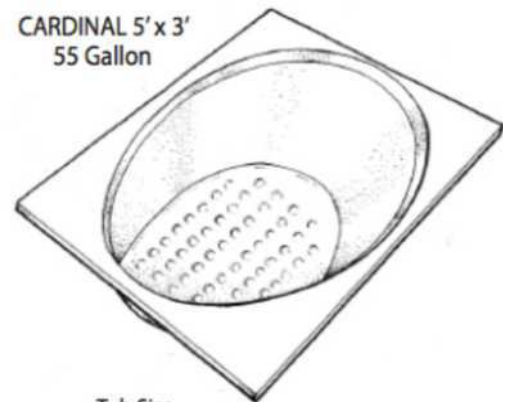
Tub Size 42"W x 72" L x 19"D

CLASSIC 6' x 3'
68 Gallon



Tub Size 36-1/4"W x 73" L x 19"D

CARDINAL 5' x 3'
55 Gallon



Tub Size
36-1/4"W x 60-1/4" L x 19"D

ROMAN 4' x 6'
105 Gallon

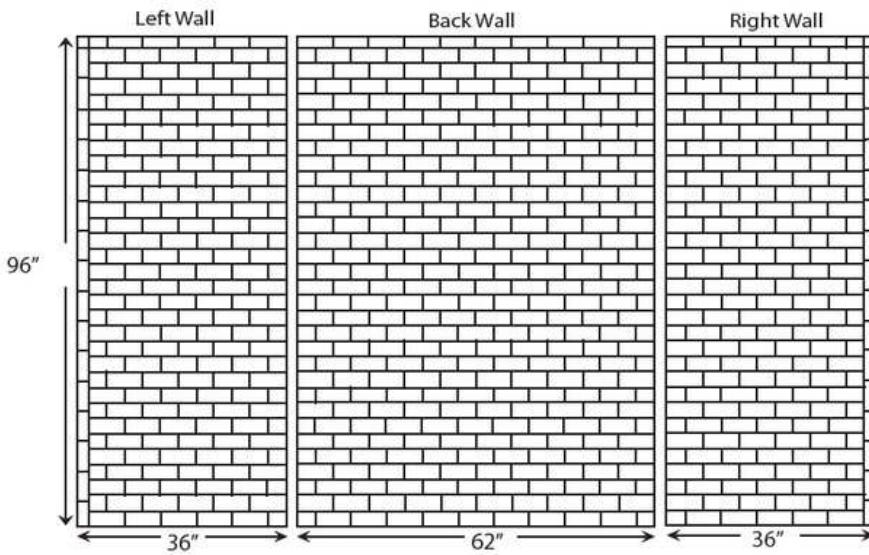
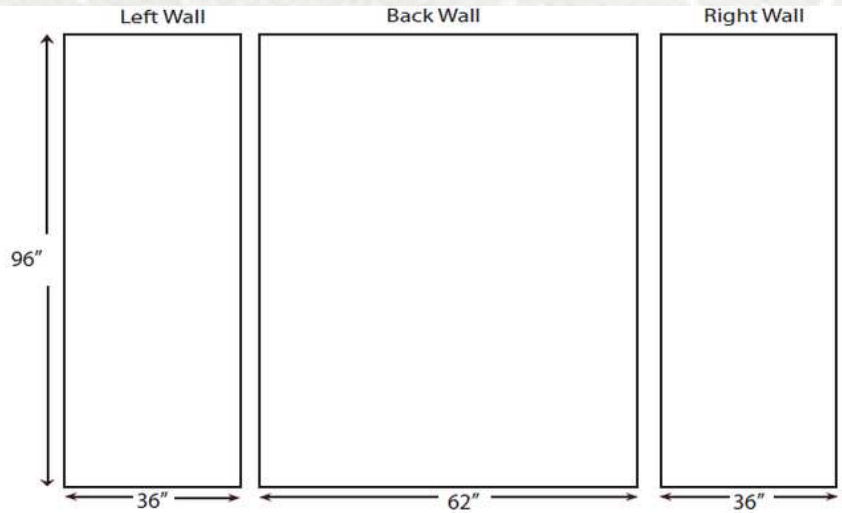


Tub Size
54"W x 72" L x 19"D

NEW

QUICK-SHIP SHOWER UNIT

3" x 6" Subway Tile or Smooth Wall Surround- 1/4" thick Solid White Gloss Cultured Marble



Shipment ready shower unit that can be cut down on-site to fit the size of your project



Available in Two Options:

QS1 Includes:

62 x 36 x 96 Subway Tile or Smooth Walls

60 x 32 Shower Base w/ center drain

Qty 1: 7 x 7 corner shelf

QS2 Includes:

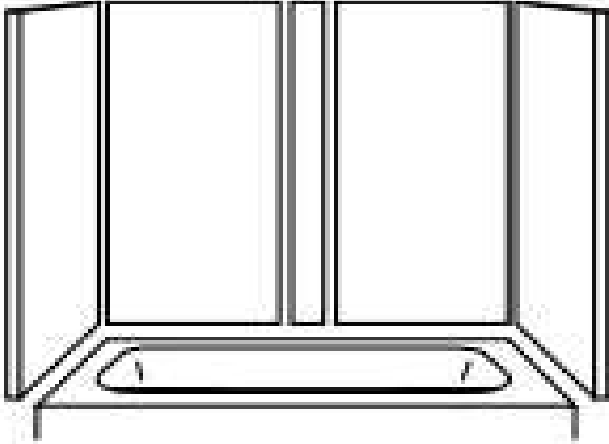
62 x 36 x 96 Subway Tile or Smooth Walls only

A la carte options not available for Quick-Ship. All other AMI product would be available at current lead times.

**Specifications meet hospitality and commercial project requirements*

STANDARD TUB WALL KITS

Two Piece Back Wall with Batton and Two End Walls



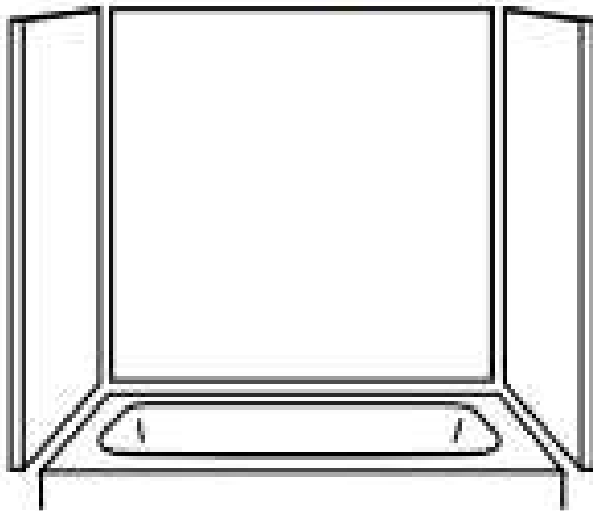
#1 Standard Tub Surround Kit

- (2) 29" x 60" x 3/8" Back Wall Panels
- (2) 30" x 60" x 3/8" End Wall Panels
- (1) 2" x 60" x 3/8" Back Wall Batton Strip

#1.5 Standard Tub Surround Kit

- (1) 60" x 60" x 3/8" Back Wall Panel
- (2) 30" x 60" x 3/8" End Wall Panels

One Piece Back Wall with Two End Walls



#2 Standard Tub Surround Kit

- (2) 29" x 60" x 3/8" Back Wall Panels
- (2) 32" x 60" x 3/8" End Wall Panels
- (1) 2" x 60" x 3/8" Back Wall Batton Strip

#2.5 Standard Tub Surround Kit

- (1) 60" x 60" x 3/8" Back Wall Panel
- (2) 32" x 60" x 3/8" End Wall Panels

#3 Standard Tub Surround Kit

- (2) 29" x 60" x 3/8" Back Wall Panels
- (2) 32" x 60" x 3/8" End Wall Panels
- (1) 2" x 60" x 3/8" Back Wall Batton Strip
- (2) 60" x 1" x 1" Inside Corner Molds

#3.5 Standard Tub Surround Kit

- (1) 60" x 60" x 3/8" Back Wall Panel
- (2) 29" x 60" x 3/8" End Wall Panels
- (2) 60" x 1" x 1" Inside Corner Molds

**Kits are available in
Smooth Texture only,
Gloss or Matte Finish
Sizes cannot be altered**

STANDARD SHOWER KITS

Shower bases include a molded threshold and side curbs. Kits are available with smooth walls only.

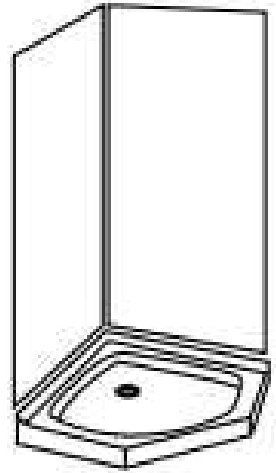
Gloss or Matte Finish

#4 Corner Shower Kit - Base and Two Walls

4A: (1) 36" x 36" Neo Angle Base
(2) 35 1/2" x 72" x 3/8" Wall Panels

4B: (1) 36" x 36" Double Threshold Base
(2) 35 1/2" x 72" x 3/8" Wall Panels

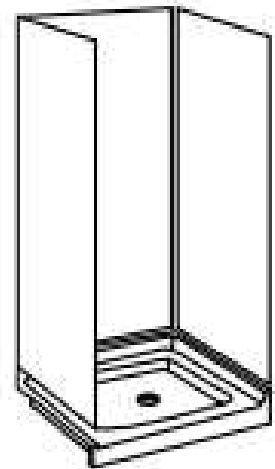
4C: (1) 38" x 38" Neo Angle Base
(2) 37 1/2" x 72" x 3/8"



#5 Shower Kit - Base and Three Walls

5A: (1) 36" x 36" Base
(1) 35" x 72" x 3/8" Back Wall Panel
(2) 35 1/2" x 72" x 3/8" End Wall Panels

5B: (1) 42" x 36" Base
(1) 41" x 72" x 3/8" Back Wall Panel
(2) 35 1/2" x 72" x 3/8" End Wall Panels

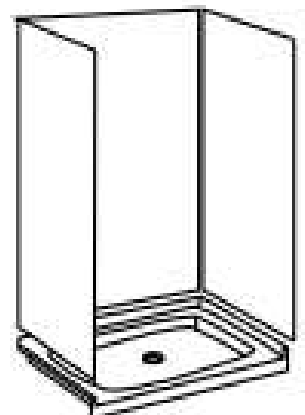


#6 Shower Kit - Base and Three Walls

6A: (1) 48" x 36" Base
(1) 47" x 72" x 3/8" Back Wall Panel
(2) 35 1/2" x 72" x 3/8" End Wall Panels

6B: (1) 48" x 42" Base
(1) 47" x 72" x 3/8" Back Wall Panel
(2) 41 1/2" x 72" x 3/8" End Wall Panels

6C: (1) 48" x 32" Base
(1) 47" x 72" 3/8" Back Wall Panel
(2) 31 1/2" x 72" x 3/8" End Wall Panels



STANDARD SHOWER KITS

Shower bases include a molded threshold and side curbs. Kits are available with smooth walls only.

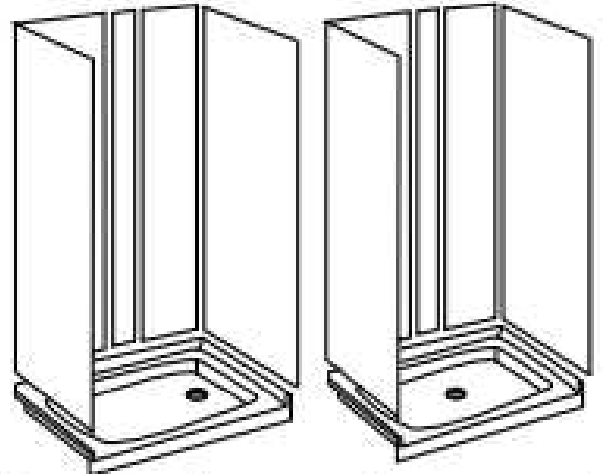
Gloss or Matte Finish

#7 Shower Kit - Base and Five Wall Panels

- 7A: (1) 60" x 36" Center Drain Base
- (2) 29" x 72" x 3/8" Back Wall Panels
- (1) 2" x 72" x 3.8" Back Wall Batton Strip
- (2) 35 1/2" x 72" x 3/8" End Wall Panels

- 7B: (1) 60" x 32" Center Drain Base
- (2) 29" x 72" x 3/8" Back Wall Panels
- (1) 2" x 72" x 3/8" Back Wall Batton Strip
- (2) 31 1/2" x 72" x 3/8" End Wall Panels

- 7C: (1) 60" x 32" Tub Replacement Base (Left or Right Hand Drain)
- (2) 29" x 72" x 3/8" Back Wall Panels
- (1) 2" x 72" x 3/8" Back Wall Batton Strip
- (2) 31 1/2" x 72" x 3/8" End Wall Panels

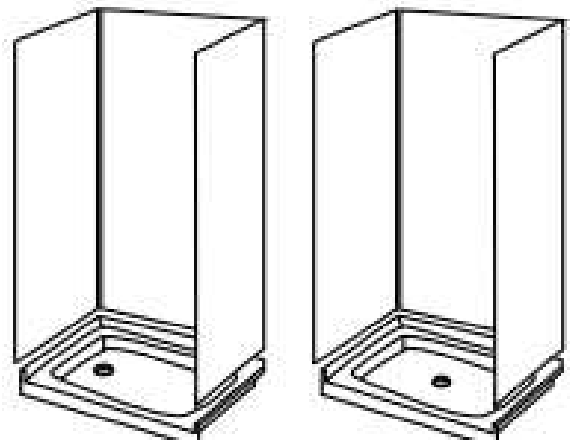


#8 Shower Kit - Base and Three Walls

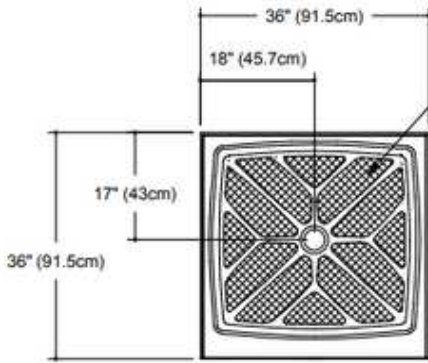
- 8A: (1) 60" x 36" Center Drain Base
- (1) 59" x 72" x 3/8" Back Wall Panel
- (2) 35 1/2" x 72" x 3/8" End Wall Panels

- 8B: (1) 60" x 32" Center Drain Base
- (1) 59" x 72" x 3/8" Back Wall Panel
- (2) 31 1/2" x 72" x 3/8" End Wall Panels

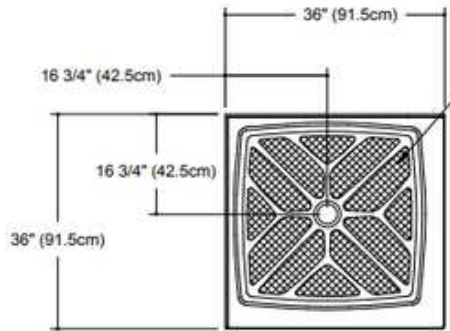
- 8C: (1) 60" x 32" Tub Replacement Base (Left or Right Hand Drain)
- (1) 59" x 72" x 3/8" Back Wall Panel
- (2) 31 1/2" x 72" x 3/8" End Wall Panels



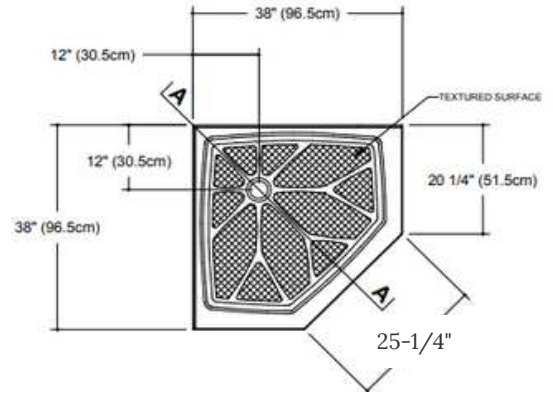
STANDARD SHOWER BASES



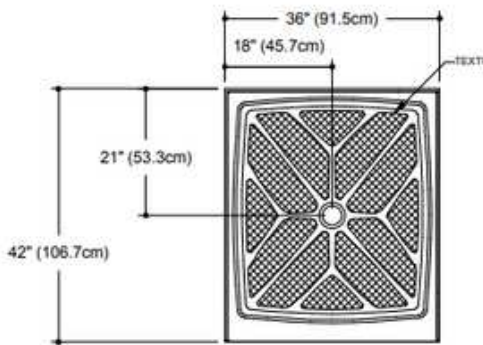
36" x 36"



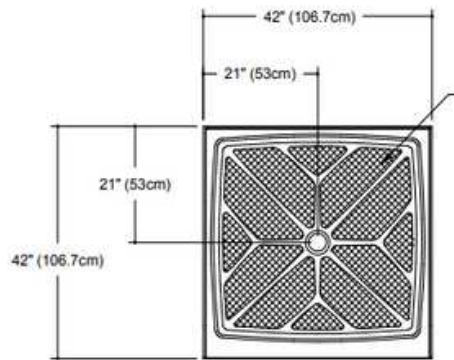
**36" x 36" Corner
Double Threshold**



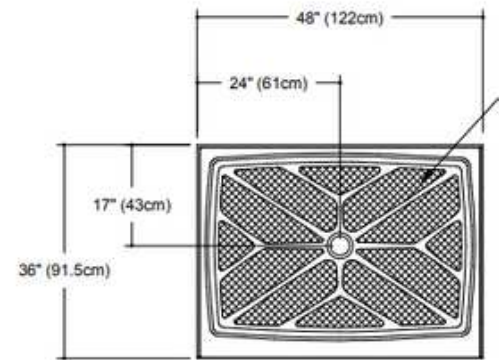
38" x 38" Neo



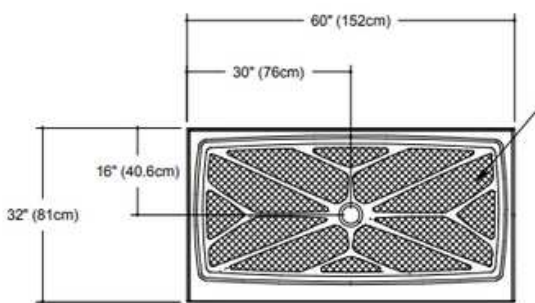
36" x 42"



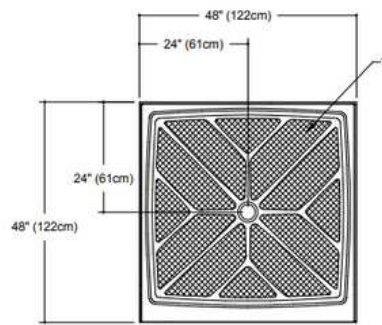
42" x 42"



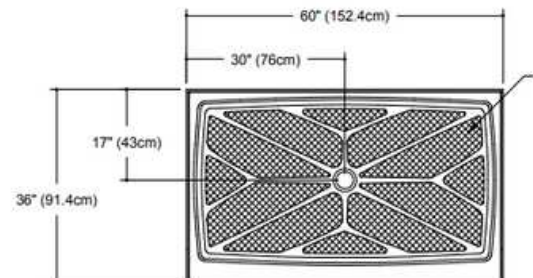
48" x 36"



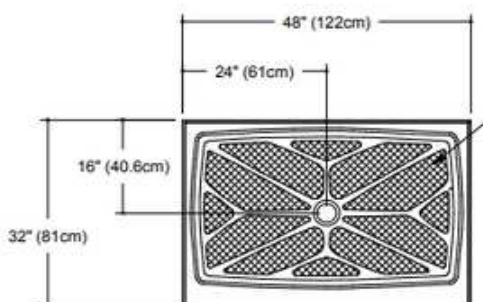
60" x 32"



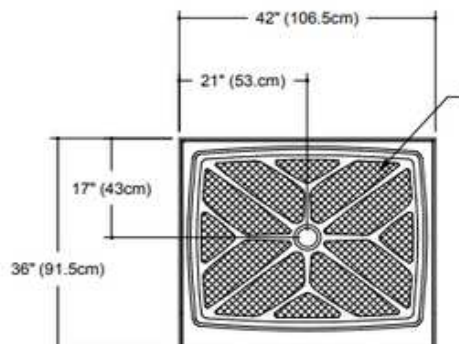
48" x 48"



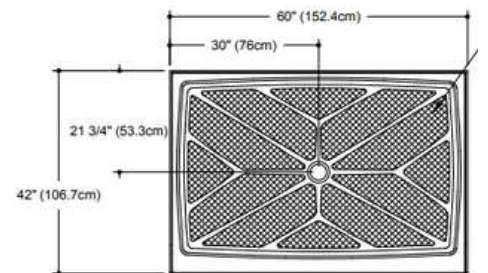
60" x 36"



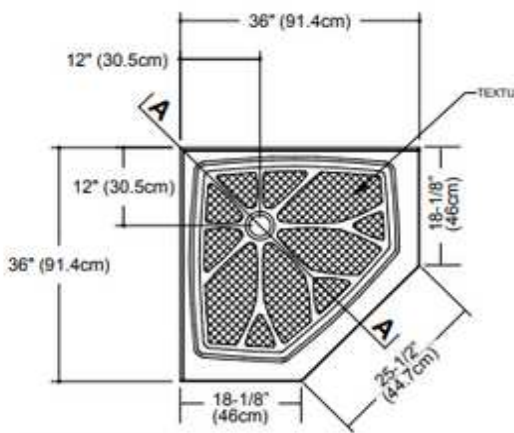
48" x 32"



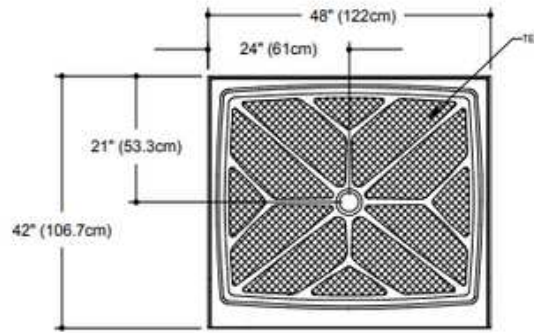
42" x 36"



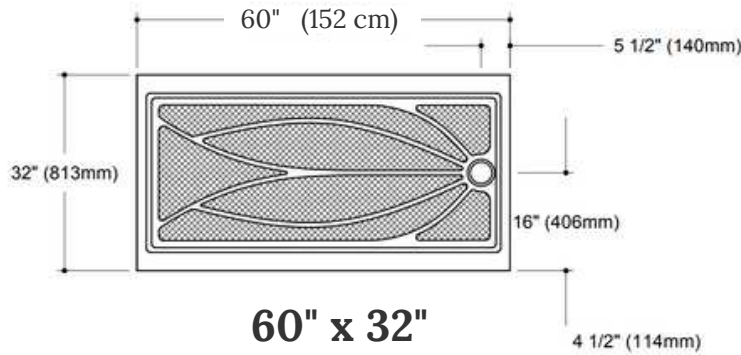
60" x 42"



36" x 36" Neo



48" x 42"



60" x 32"

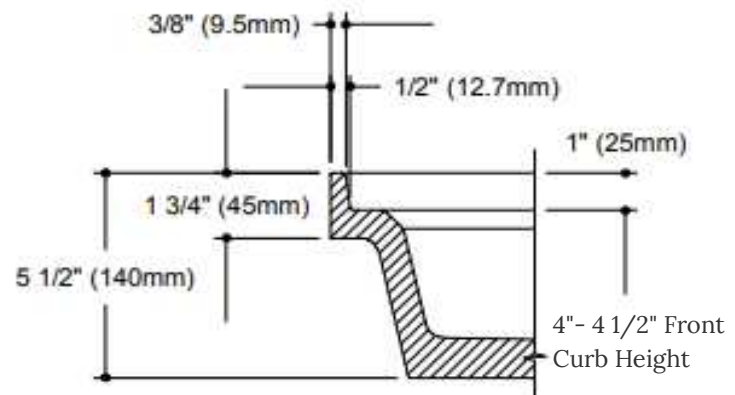
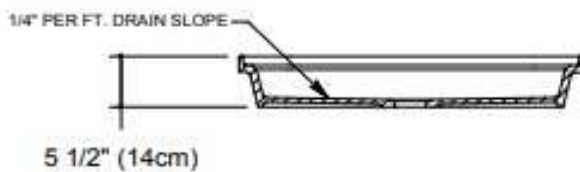
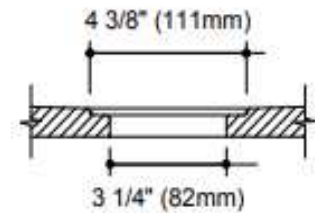
Tub Replacement

Right or left hand drain

Can be cut down to a minimum 58-1/2" x 30"

Rubber water barrier on this base

Standard bases come with an integral threshold, non-adjustable drain placements, and non-adjustable sizes. The only exception is the Tub Replacement base. See spec for details.



ACCESSORIES



★ TOP SELLING ACCESSORY

SHOWER ACCESSORIES CAN BE MADE IN ANY MARBLE, ALABASTER, OR IRONSTONE COLOR; A SELECT FEW CAN BE MADE IN TYVARIAN. SEE THE TYVARIAN PAGE FOR OPTIONS.

ACCESSORY OPTIONS - GLOSS OR MATTE FINISH
1. Single Recessed Soap Dish
2. Recessed Soap & Shampoo Dish
3. Double Recessed Soap & Shampoo Dish
4. Soap Box
5. Shampoo Box
7. Corner Soap & Shampoo Caddy
8. Big Daddy Caddy
9. Straight Front Corner Shelf
10. Curved Front Corner Shelf
11. Flat Corner Seat with Reports
12. Contoured Corner Seat
13. Recessed Toilet Paper Holder
14. Chrome Towel Ring
15. Towel Bar Ends Clear Acrylic Bar 24" or 30"
16A Grand Daddy Caddy - Vertical with Shelves
16B Grand Daddy Caddy - Horizontal with No Shelves
16C Grand Daddy Caddy - Vertical with Custom Shelf Placement

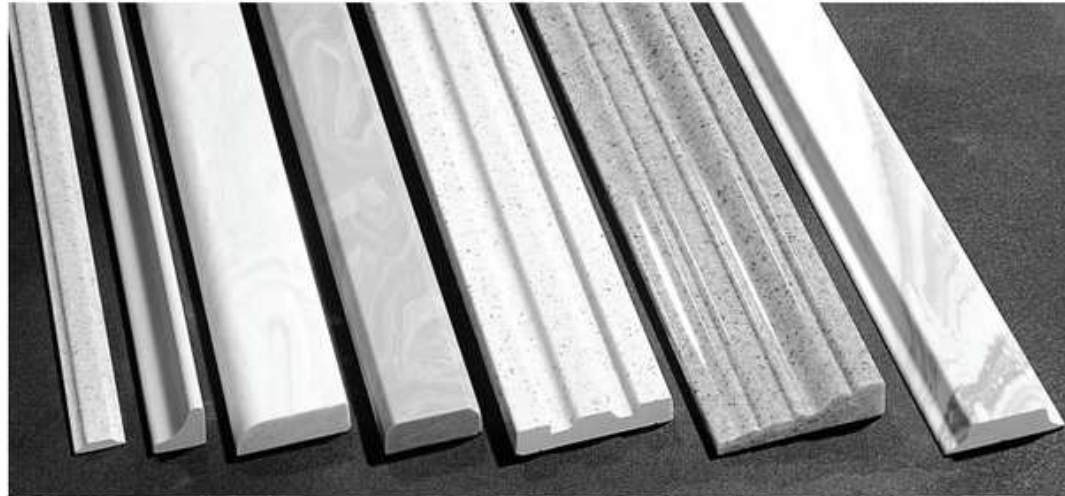


PLEASE NOTE: COLOR & DESIGN WILL VARY

TRIM, MOLDING, & BACKSPLASH

"A" molds come in 10' lengths and all other molds come in 8' lengths.

I Seam Trim 1" x 1/4"
 A Inside Corner 1" x 1"
 K Facing Trim 2-1/4" x 3/4"
 D Neo Angle 2" x 3/4"
 G Fluted 3-1/4" x 5/8"
 L Base Trim Mold 3-3/8" x 3/4"
 B Double Ogee 2-1/2" x 3/4"



Rope Band
 7-1/4" x 96"



H Chair Rail 2-3/8" x 1"
 C Single Ogee 2" x 3/4"
 E Outside Corner 1-1/4" x 1-1/4"
 J Wall Cap Trim 2" x 7/8"
 F Colonial Mold 2-1/4" x 1/2"



Pencil Trim
 143-1/2" x 3/4" x 3/4"



Subway Chair Rail
 108" x 2-3/8"



Herringbone Backsplash Full Size 144 x 23



Subway Tile Backsplash Full Size 143 1/2 x 21



The background features a light gray surface covered with numerous water droplets of varying sizes. Overlaid on this are several geometric shapes: a large, solid gray house-like outline with a pointed roof, and two overlapping diamond shapes (rhombuses) with double-line borders, one in the upper right and one in the lower left.

**DESIGNED BY YOU,
CRAFTED BY AMI**

UNCOVER THE ART
OF CUSTOMIZED
ENGINEERED STONE

CUSTOM VANITY TOPS

Maximize your space and budget by installing an AMI custom molded vanity top! Achieve your desired look by having the flexibility to choose specific features.



What can be customized?



- Length and depth
- Bowl type, placement, and quantity
- Splash options
- Add Banjo arms, angles, radius', etc.
- Unique vanity shapes
- Specialty Edging
- AND MORE!

PLEASE NOTE: COLOR & DESIGN WILL VARY

SEE BOWL TYPES
& SPECS ON PAGE

14 - 15

**INCLUDING AN
INTEGRAL
MOLDED
SPECIALTY
EDGE IS A
GREAT WAY TO
CUSTOMIZE
YOUR TOP**

Specialty EDGES

#1006 1-1/2" Edge

#1006.5 2" Edge

#1007 1-1/2" Edge

#1009 1-1/2" Edge

#1012 1-1/2" Edge

#1015 1-1/2" Edge

#1018 1-1/2" Edge

#1021 1-1/2" Edge

#1022 1-1/2" Edge

#1023 1-1/2" Edge

#1024 1-1/2" Edge

#1025 1-1/2" Edge



3/8" Wall Panel

NC per inch

#1002 3/4" Edge

NC per inch

#1003 3/4" Edge

#1013 3/4" Edge

#1020 3/4" Edge

#1004 1" Edge

#1005 1" Edge

#1014 1" Edge

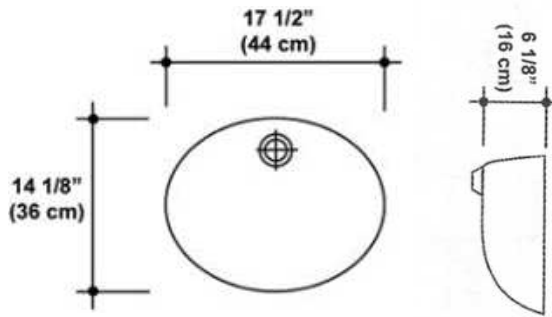
#1017 1" Edge



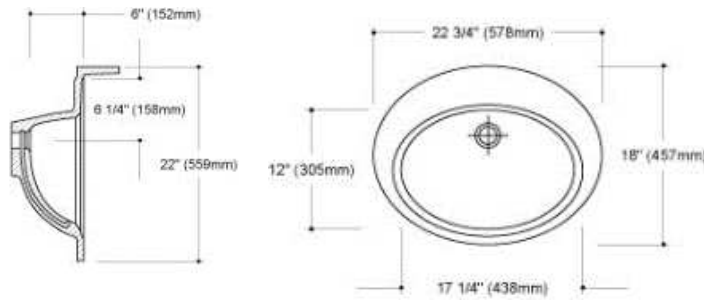
STANDARD BOWL SPECS



Cameo



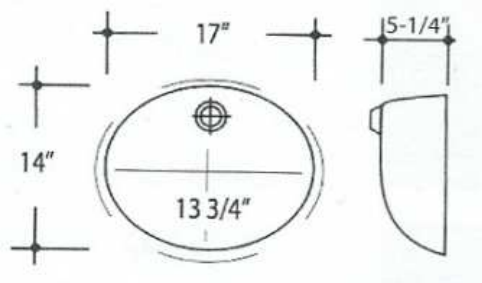
Standard bowl options require 22" or deeper top unless otherwise noted



Recessed Oval



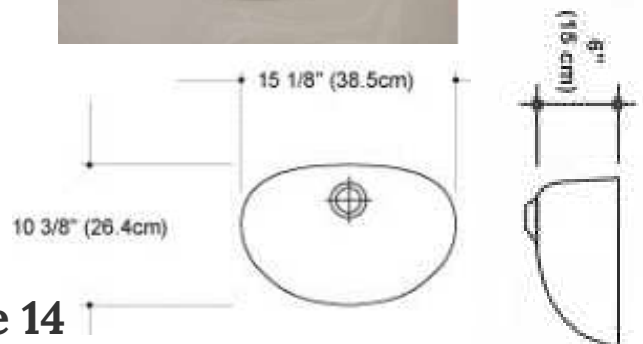
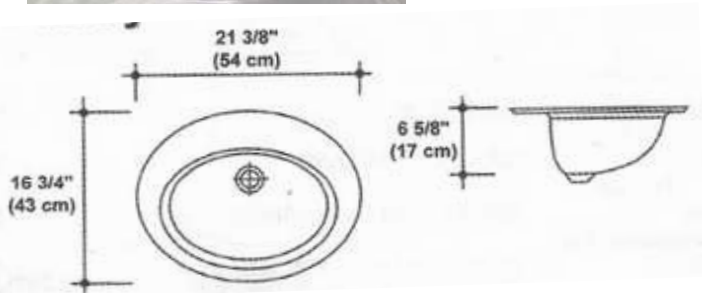
Deco China Undermount



Small Recessed Oval- 19" or deeper top

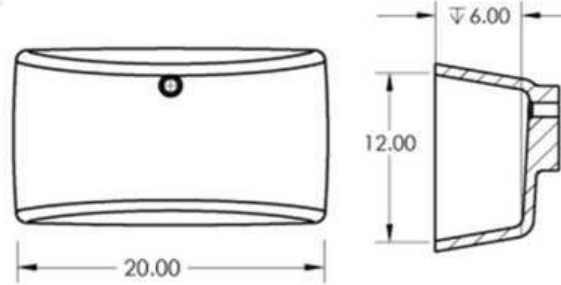


Mini Oval- 17" or deeper top

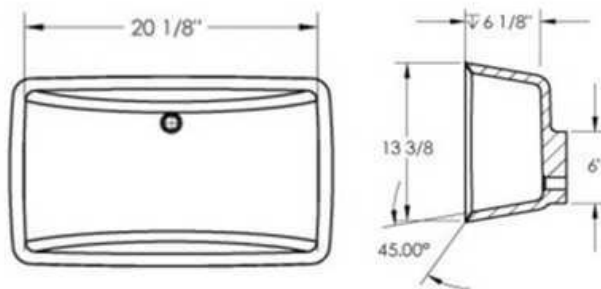


PREMIUM BOWL SPECS

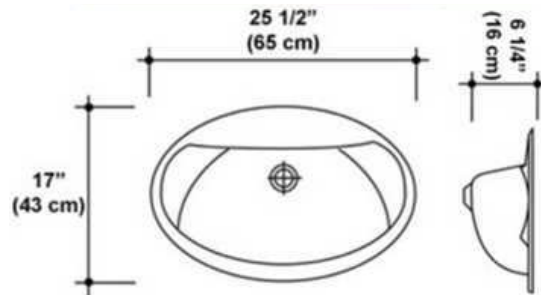
Premium bowls are only available on 22" or deeper vanity tops



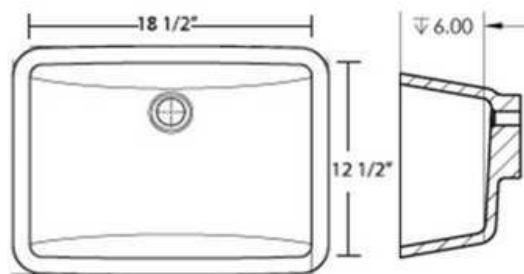
Wave



Contemporary



Classic



Neuvo China Undermount

Edge options for all china undermount



EASED EDGE



OGEE EDGE

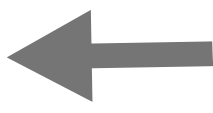
bowls:

CUSTOM SHOWER BASES

Custom shower bases are made to your specs, measured **stud to stud**. Each base is made with a 1/4" per foot slope to the drain location with a rubber, water barrier flange attached. Custom sizes up to 120" x 94"



REGULAR TEXTURE OPTION

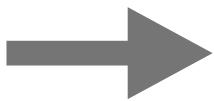


Don't forget your threshold!



← 2" HEX TILE TEXTURE
Max size 102" x 64"

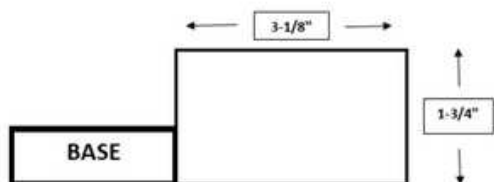
NO GROUT
TILE TEXTURE
Max size 96" x 60"



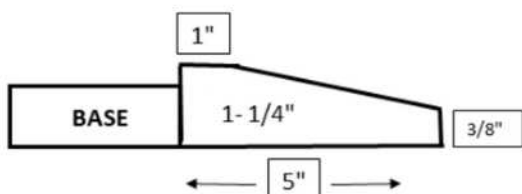
THRESHOLDS

When measuring for your custom shower base, be aware that your threshold will need to be deducted from the total depth of your shower base. If not, your shower base will exceed the desired finished size and will need to be cut down to the correct size.

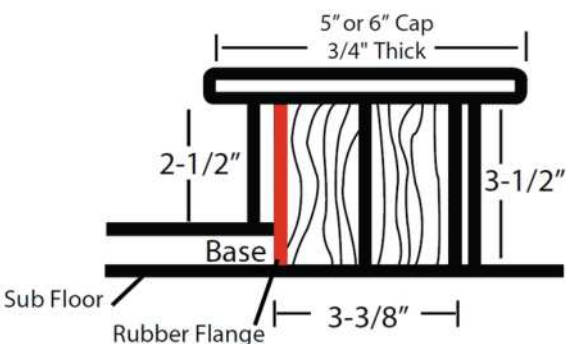
See below for each deduction you would need to make.



LOW BLOCK THRESHOLD
DEDUCT 3-1/8"

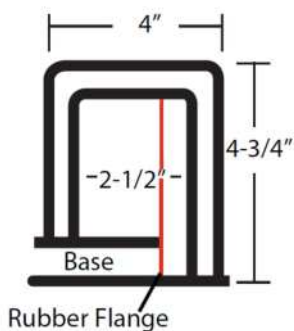


HANDICAP THRESHOLD
DEDUCTION IS
DEPENDENT ON
PLACEMENT



**THREE-PIECE
THRESHOLD**
DEDUCT 3-3/8"

*Threshold delivered as separate pieces & assembled on-site



**ONE-PIECE
THRESHOLD**
DEDUCT 2"

PREMIUM SHOWER DRAINS



Square Drain Opening

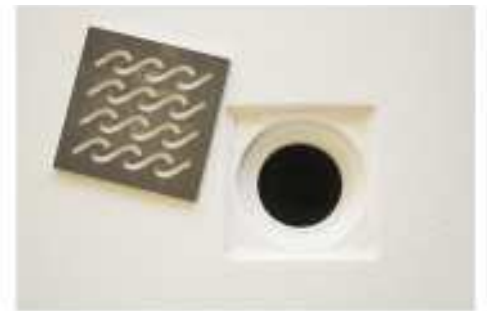


Bottom of shower base. Will need an 8" x 8" opening in sub floor

Optional drain assemblies are NOT included with custom bases and need to be determined at the time of ordering



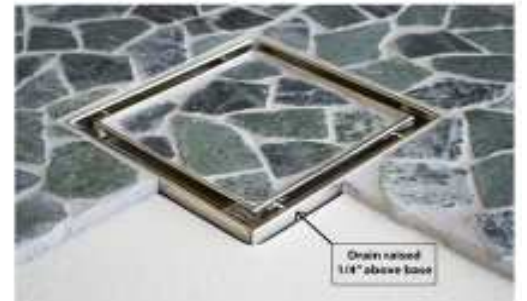
Basic Square Drain
5 - 7/8" x 5 - 3/8"



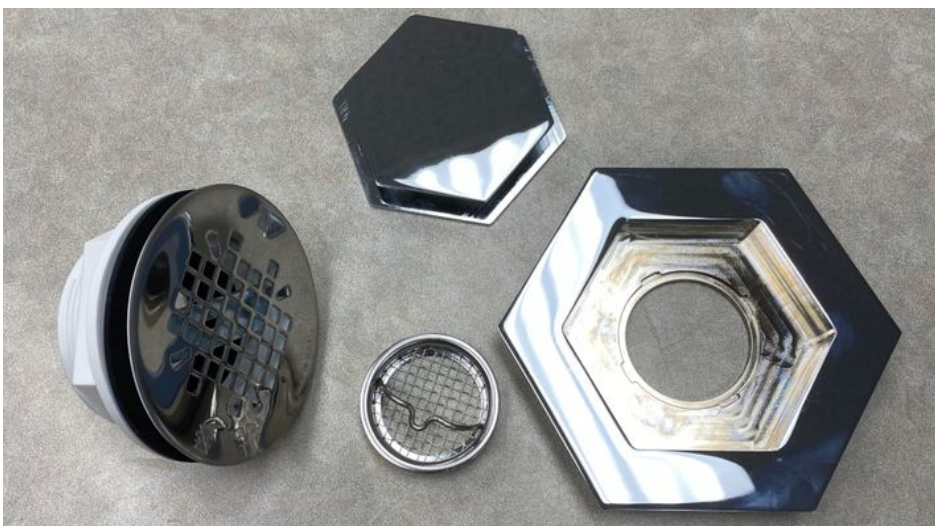
Hawaii Square Drain
5 - 1/2" x 5 - 1/2"



All Stainless Square Drain
5 - 7/8" x 5 - 7/8"



All Stainless Tile Ready Square Drain
5 - 7/8" x 5 - 7/8"



Hexagon Drain
5" x 5"

Hexagon Drains Available In:
Chrome
Polished Brass
Satin Nickel
Rubbed Bronze

FLAT STOCK & WALL PANELS

Shower wall panels
come 3/8" thick
with the option of
finished edges

Flat Stock Thickness

- 3/8" Flat Stock for walls, ceiling, jambs
- 3/4" Flat Stock for wall caps, bench seats, trim or accents
- 1" Flat Stock available upon request

Maximum Flat Stock Size in One Piece

Gloss or Matte Finish

Tyvarian: 61" x 140"

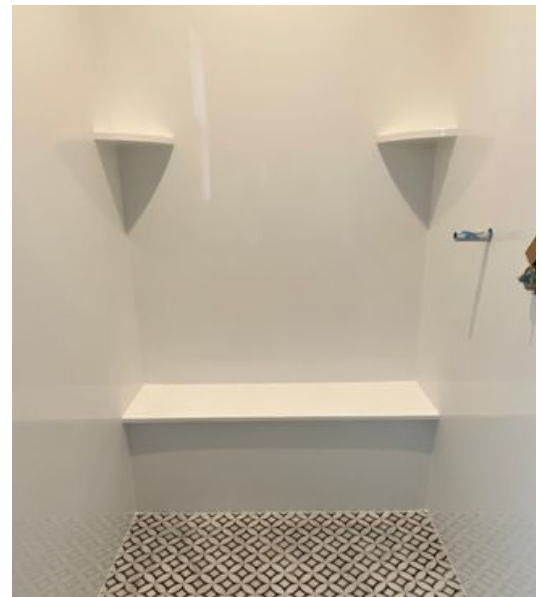
Smooth: 72" x 144"

*Gloss Finish Only

6" x 6" No Grout Tile: 75 1/2" x 87"

Dimensional Texture: 60" x 120"

3" x 6" Subway Tile: 72" x 96"



PLEASE NOTE: COLOR & DESIGN WILL VARY

Tyvvarian

BY AMI



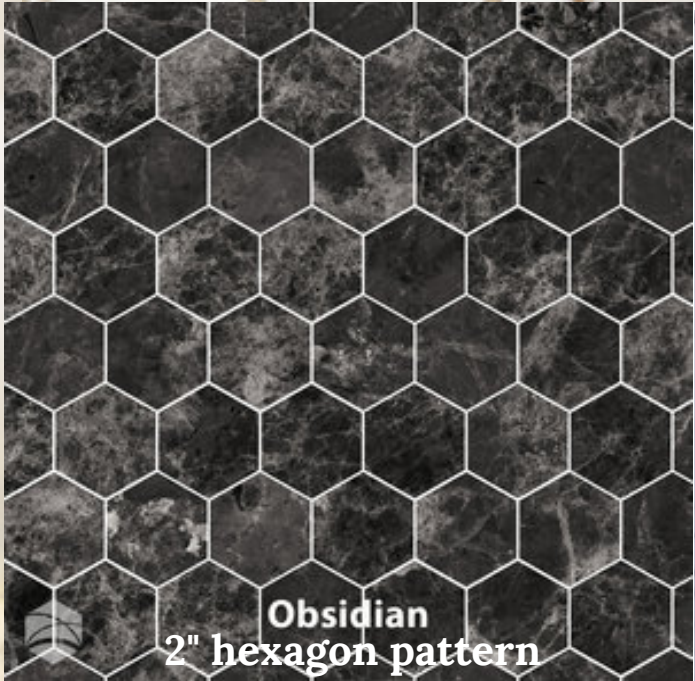
*Where Functional Sophistication
Meets Comfortable Living*



Stratus White
3x12 Herringbone



Calcutta Brown, Acorn
Lantern



Obsidian
2" hexagon pattern



TYVARIAN

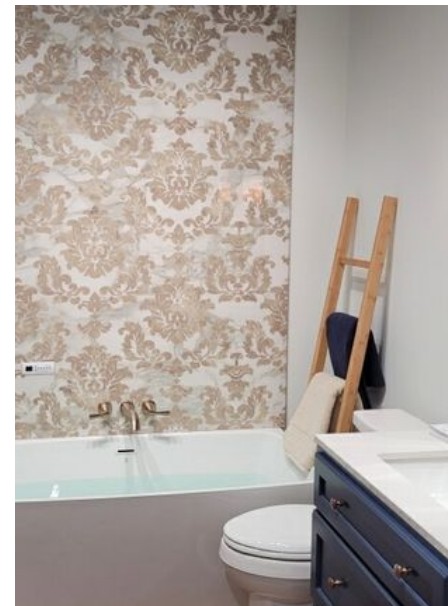
Vanity Tops

Mixed Pattern Option



Reach out to your dealer today! Don't have one? Visit our website to find the closest ones near you!

Showers



Accent Panels

OPTIONS

AVAILABLE ACCESSORIES

GRAND DADDY CADDY



12 X 12 FLAT CORNER SEAT W/ SUPPORTS



STRAIGHT FRONT CORNER SHELF



CURVED CORNER SHELF

We offer custom flat stock pieces in 3/8", 3/4", and 1" thick; and can make the piece as large as 140" x 60" Not all patterns are available in full sheets. Contact AMI to verify before ordering.

THRESHOLDS



ONE - PIECE THRESHOLD



THREE - PIECE THRESHOLD



LOW BLOCK THRESHOLD

PREMIUM DRAIN OPTIONS

Tyvarian bases come with a 2" standard drain.



The ACO square system will fit over the standard drain assembly



(Bottom of Shower Base)

With this square drain there will need to be an 8"x8" square opening in the sub floor to accept the bottom of the shower base around the drain

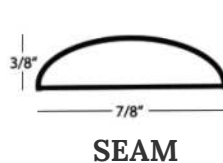


ACO Square Shower Drain with Tyvarian Shower Base

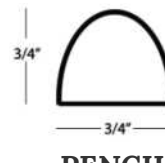


The opening will accept a standard shower strainer for a complete seal

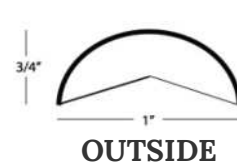
TRIM / MOLD OPTIONS



SEAM



PENCIL TRIM



OUTSIDE CORNER



**CHOOSE
TYVARIAN FOR
YOUR MOST
UNIQUE IDEAS**





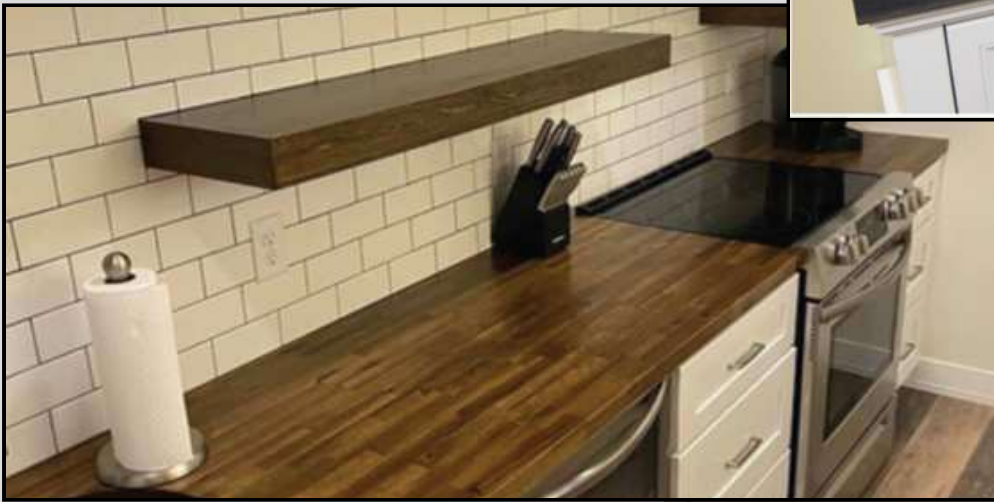
**DESIGN
WITHOUT
LIMITS,
BECAUSE
CREATIVITY IS
GUARANTEED
HERE.**

SOLID SURFACE, MADERA WOOD & LAMINATE



For more information about solid surface, Madera wood, or laminate products please contact your AMI sales team today!





Commercial Projects



We do more than just kitchens, bathrooms, and residential work. Not sure if we can do it? Reach out - we love creativity!



AMI's How-To Guide: Commonly Asked Questions

How to order AMI product?

AMI partners with many kitchen & bathroom showrooms, contractors, and plumbing wholesalers to provide you the best service & experience for your remodeling project. Enter your zip code into our Dealer Locator to find the closest dealer to you.

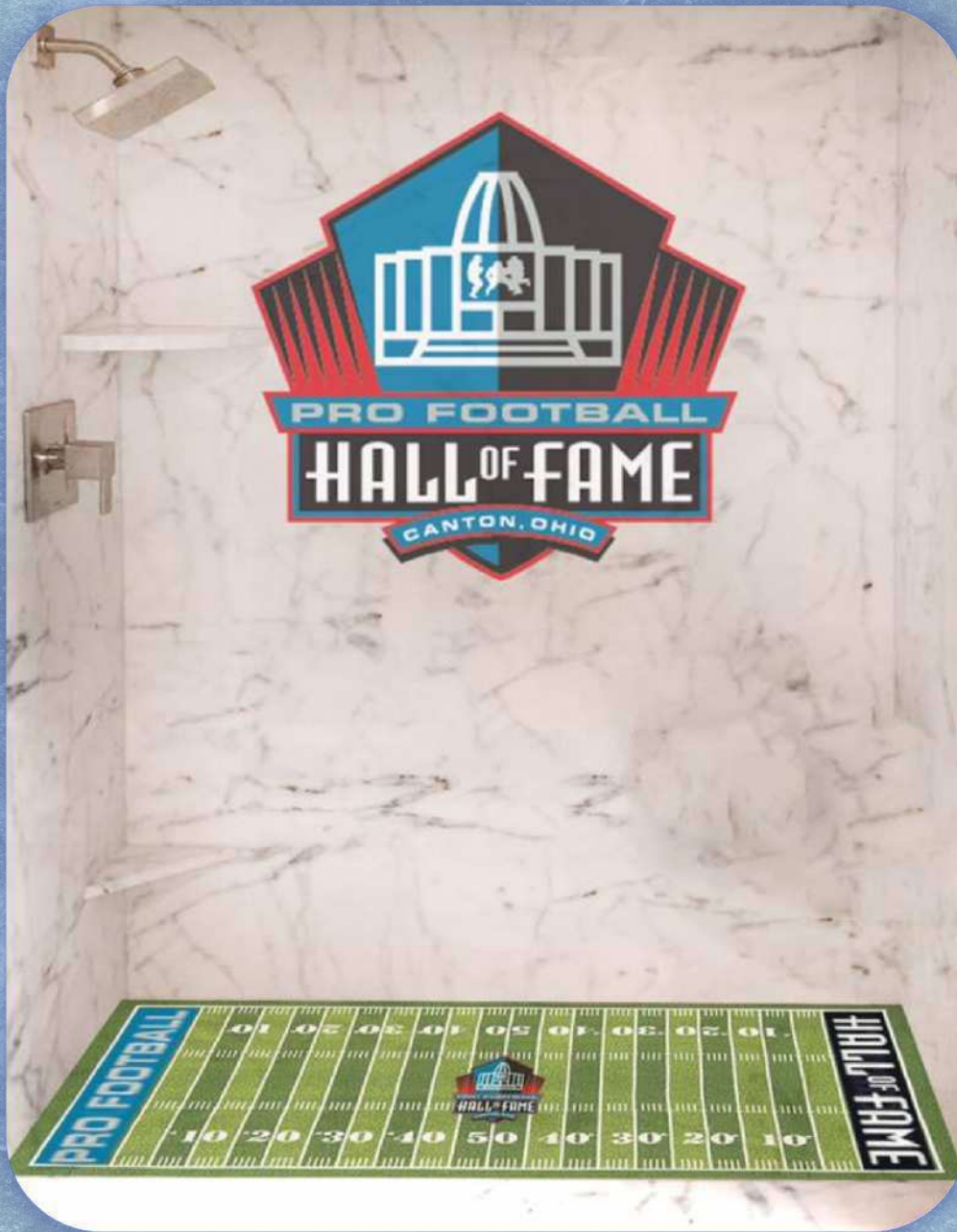
How to store & install AMI product?

AMI offers complete instructions on our website's Product Support page to better understand storing, handling, and installing our product. Watch our installation video for step-by-step instructions on how to install a shower unit, start to finish.

AMI's Product Support at www.amisurfaces.com provides a library of information at your disposal.

Make sure to visit our website for topics of: care & cleaning, warranty information, storage & handling instructions, and much more!





Make your logo a custom work of art!
Call us today to find out how- we would
love the opportunity to assist you in
your next project or design.



American Marble Industries
2700 Atlantic Blvd. NE, Canton, OH, 44705

Orders@amitops.com

Quotes@amitops.com

Tel: (330) 453 - 8437

Fax: (330) 453 - 4913